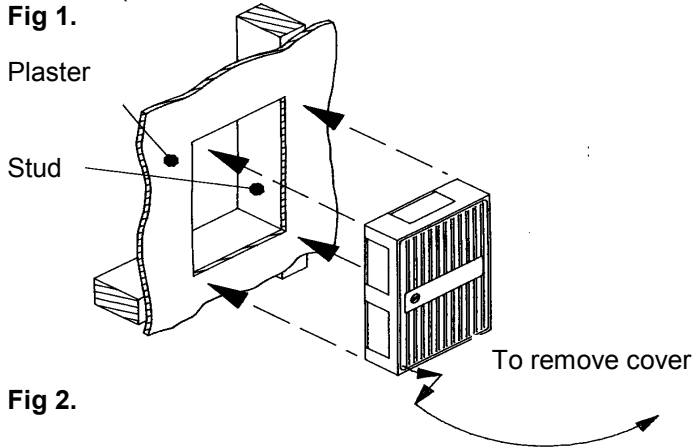


# INSTALLATION INSTRUCTIONS FOR KRONE® KRONECTION BOX III (TURNBUCKLE) PRODUCT NUMBER 6455 1 023-00

## PLEASE READ INSTRUCTIONS BEFORE FLUSH MOUNT INSTALLATION

(NOTE: Part 6437 2 004-20 FRAME LEVELLING KRON. BOX III also required for this flush mount method)

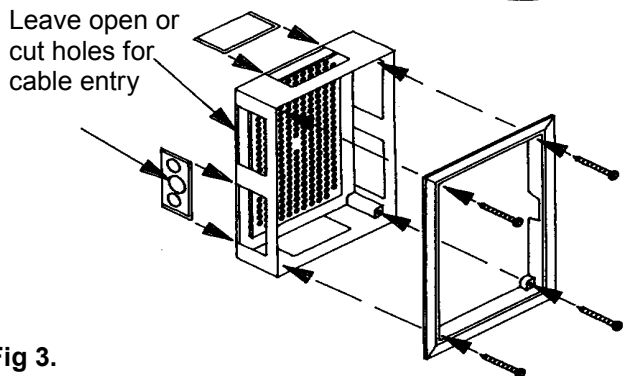
**Fig 1.**



**Fig 1.**

Remove the cover from the box being careful not to damage the hinge lugs at the top and bottom. Cut a hole into the wall surface adjacent to a stud or noggin with dimensions as necessary to neatly fit the box (with allowance for cables if necessary).

**Fig 2.**



**Fig 2.**

Attach the levelling frame to the box with the 4 long screws supplied and assemble the cable entry pieces into place. For the required cable entry point(s), either leave uncovered or cut shapes for feeding the cables through the entry pieces (e.g. if exclusion of foreign materials is important). Assemble the required components into the box as necessary.

**Fig 3.**

**Fig 3.**

Apply an appropriate adhesive\* to the surface of the box and/or wall member in contact (not the cable entry pieces) as per the adhesive manufacturers instructions. Ensure adequate provision is made for introduction of cables into the box. Place the box into its recess and hold the glued surfaces together to enable the adhesive to cure as instructed (ensure the levelling frame is firm against the wall).

**Fig. 3 Alternative**

Drill the side to be attached to the wall member from the outside of the box (using only the internally recessed areas, as indicated). Secure the box into place with the required woodscrew(s), or self-tapping screw(s) (screws not supplied).

### To complete

When the adhesive is cured as per the adhesive instructions, complete wiring and other work on the unit. Replace the cover to the levelling frame in the reverse way to which it was removed from the Kronection box

### \* Recommended adhesives

1. Selley's Liquid Nails
2. Fuller's Max Bond
3. Selley's Super Strong Multi-Grip
4. Any other adhesive suitable for attaching the plastic box (polystyrene) to timber or metal.

