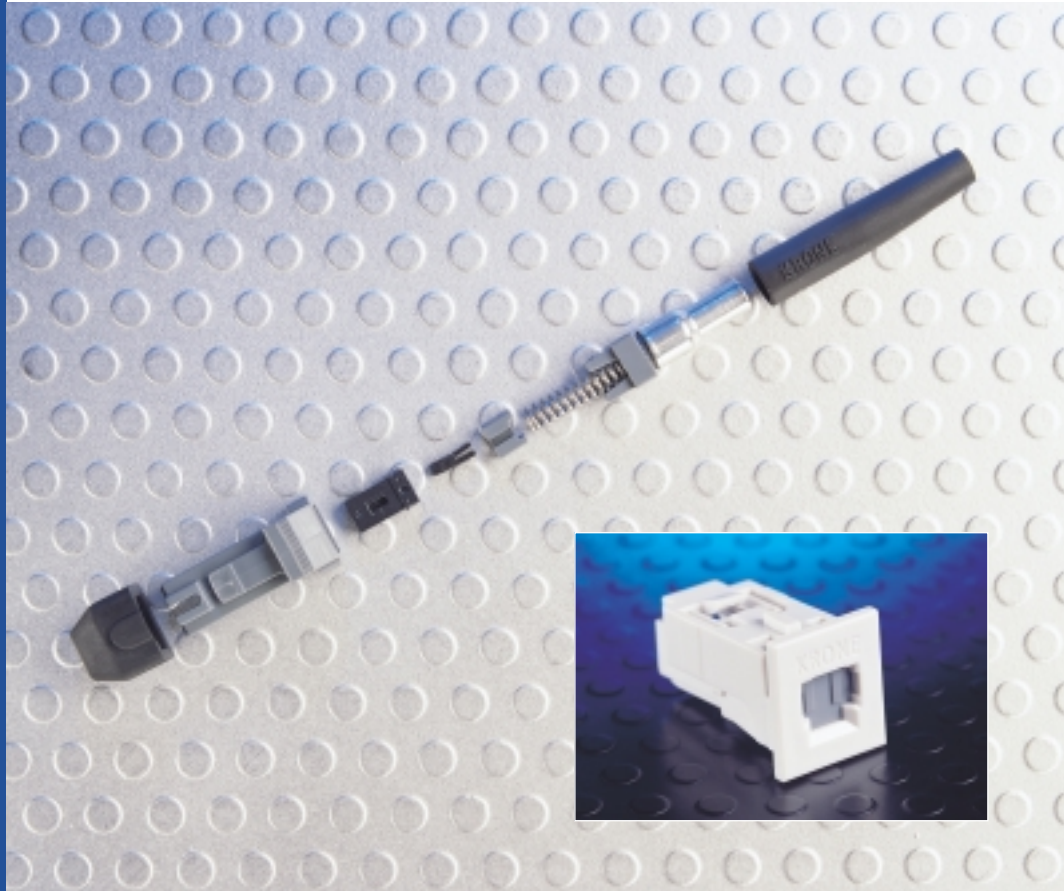


PremisNET™

MT-RJ multimode connector family

The KRONE multimode MT-RJ can be used to terminate cable assemblies (pigtails and patchcords) on both 50µm and 62.5µm fibre (600µm, 900µm or Ø1.8mm mini zip cable)



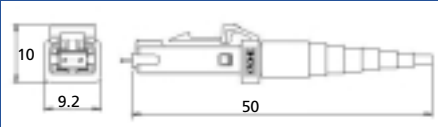
- High density
- Variety of configurations
- Compatible with industry standard products
- High performance
- Full portfolio – patch panels, outlets
- Conforms to TIA/EIA 568-A and 568-B.3, EN 50173, ISO/IEC 11801, IEEE 802.5 and PrEN 186530.



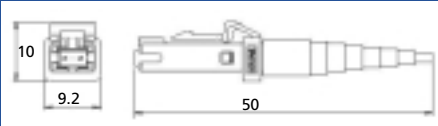
KRONE

MT-RJ multimode connector family

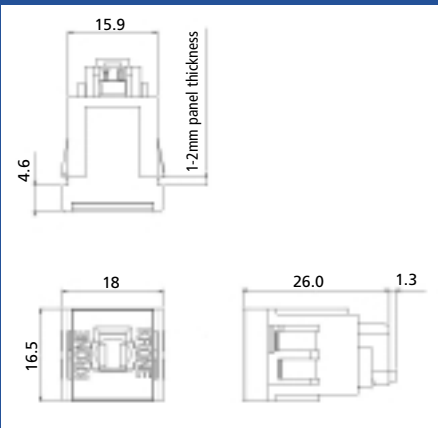
Connector tested and manufactured to the highest specifications



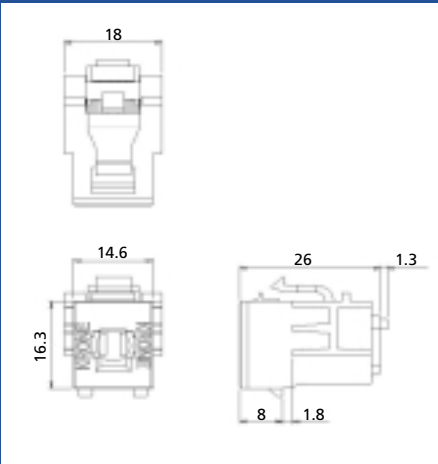
MT-RJ Connector male



MT-RJ Connector female



MT-RJ Panel adapter



MT-RJ Keystone adapter

For further information please contact:

KRONE (UK) Technique Ltd.

Runnings Road

Kingsditch Trading Estate

Cheltenham

Gloucestershire GL51 9NQ

Tel. 01242 264444

Fax. 01242 264488

e-mail: contact@krone.co.uk

Web site: www.krone.co.uk

Technical Specification

Optical performance (at 850 nm)

Parameter	Typical	Max.
Insertion loss (Random Mate)	0.13 dB	0.4 dB
Return Loss (Random Mate)	-34 dB	-23 dB

Environmental performance

		Change in Insertion loss performance	
Parameter		Typical	Max.
Storage Temp.	-40°C to +80°C	n/a	n/a
Storage Humidity	0 to 95%	n/a	n/a
Operating Temp.	-20°C to +70°C (cable dependant)	0.04 dB	0.19 dB
Operating Humidity	0 to 95%	0.05 dB	0.11 dB

Mechanical performance

		Change in Insertion loss performance	
Parameter		Typical	Max.
Mating Durability	500 cycles	0.06 dB	0.12 dB
Coupling strength	40N	0.07 dB	0.13 dB
Cable retention	50N	0.1 dB	0.29 dB
Cable Torsion	15N ±180°	0.01 dB	0.03 dB
Cable Side load	1N	0.01 dB	0.03 dB
Impact	5 x drop @ 1.5 m	0.13 dB	0.34 dB
Bump	4000 @ 40g	0.01 dB	0.01 dB
Vibration	10-55Hz 0.75mm	0.02 dB	0.03 dB
Crush	500 N	0.13 dB	0.37 dB

Safety

Socket fitted with automatic dust / laser protection shutter.
The MTRJ Connector when used correctly conforms to EN 6-825-2 Class 3b safety requirements.

Materials

Plug	Body Mouldings	Polycarbonate; dark grey RAL 7031
	Ferrule	Silica filled polymer
	Guide Pins	Stainless Steel
	Spring	Stainless Steel
	Crimp	Copper; bright tin plated.
	Boot	Thermoplastic elastomer; black
Socket	Outer Body Mouldings	Polycarbonate; light grey RAL 7035
	Inner Body Moulding	Polycarbonate (glass filled); light grey RAL 7035
	Spring	Stainless Steel
	Shutter	Polycarbonate; dark grey RAL 7031

Ordering information

Connectors	Pack Qty	KRONE Product No.
MT-RJ Connector MM (Female)	1	7023/1/019/00
MT-RJ Connector MM (Male)	1	7023/1/019/01
MT-RJ Connector MM (Female)	200	7023/1/044/00
MT-RJ Connector MM (Male)	200	7023/1/044/01
MT-RJ Connector MM (Female)	1000	7023/1/043/00
MT-RJ Connector MM (Male)	1000	7023/1/043/01
MT-RJ Shuttered socket	1	7023/1/041/00
MT-RJ Shuttered socket with Keystone adaptor	1	7023/1/030/00