

KRONE
AccessNET

UniBox Family
The universal, versatile,
quick-to-install
terminating
distribution box



KRONE

KRONE UniBox – the small, rugged boxes that are the fruit of wide experience and which incorporate a well thought-out inner design.



When KRONE, as an international leader for connection and transmission components puts itself to developing and optimising terminating distribution boxes the result is a cost-effective product of the highest quality and reliability. In addition to the use of materials satisfying the most demanding quality standards, KRONE UniBoxes are based on an intelligent concept unifying all the important criteria for a lasting, successful product.

- An internal design based on practical experience
- An extremely robust housing, which is secure under all climatic conditions
- The certainty that one is using a product developed by one of the most experienced telecommunication manufacturers in the world.

The KRONE UniBoxes are a further development of the proven KRONECTION® Box series. They bring together all the experience and knowledge gained in decades of development, production and use of enclosures and boxes in every conceivable area of application – throughout the world – and under all possible conditions.

Take no risk: KRONE's UniBox satisfies all environmental requirements

The KRONE UniBox as an external box has been especially designed for extreme steadfastness. Outside, high up on a pole or on a building facade, the conditions are unique: highly aggressive atmospheric pollution, extreme changes in temperature creating the risk of unwanted condensation, repeated rain, dust, vibrations, attacks by insects and even acid contamination from the paint used for facades, as well as from birds and other animals, must not have an effect on the box or the connection components it contains. And this challenge has to be met regardless of whether the KRONE UniBox is installed at the Polar Circle, in the desert or in the tropics. The housing is made of chemical-resistant, UV-protected, impact-proof and flame-retardant thermoplastic material. It is optimally protected against environmental influence, UV rays and both accidental and deliberate mechanical damage.

The KRONE UniBox also puts an end to unauthorised access: the boxes are fitted with a lock which turns them into small "safes".

Mounting accessories? You can forget about them. All the parts necessary for mounting are delivered with the UniBox. You don't need any additional adapters, clamps, brackets or other small parts to install the KRONE UniBox at its permanent location.

This simplifies your logistics and makes work truly easier for the installer – since additional fixing elements are not required they cannot be forgotten during installation.

KRONE UniBox: The way is free for feedthrough cables.

The KRONE UniBox is a true professional when it comes to time saving. Important practical design elements have been integrated into the product. For example, the KRONE UniBox offers the possibility of feeding through cables. This saves a considerable amount of time and labour during installation since wires that are not distributed simply pass through the box. The result is an installation that is easier and quicker to set up, which also means it is more cost-effective.

KRONE UniBox: More than enough space for jumpering. A design that plays into your hands.

KRONE design focuses both on appearance and practicality. The KRONE UniBox offers sufficient space for comfortable work. There is no danger of injury due to sharp edges, no inaccessible corners that turn installation into an onerous fumbling game. KRONE UniBoxes are a pleasant experience – for the hands of the installer, for all those who will work with the box, today or in 15 years.

Everything one needs is included. The box requires no additional mounting parts.

KRONE UniBox establishes connections everywhere in the world.

The name says it already – this small, unobtrusive distribution box is universal and flexible. It is compatible with all the commonly used connection systems. It can be adapted to your individual needs, can be retrofitted quickly and is variable in size, capacity and application.

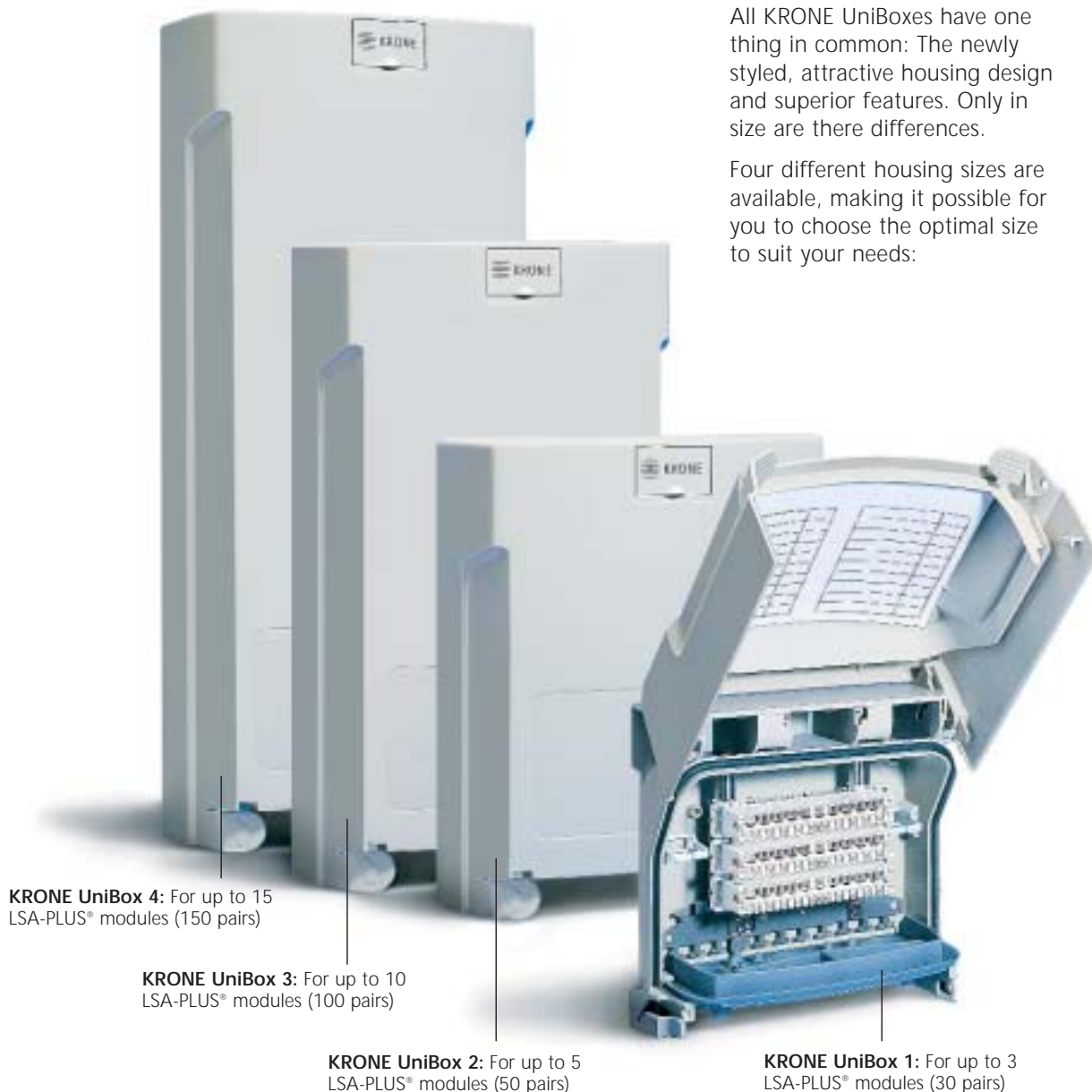
The KRONE UniBox can be used with the following connection systems:

- Highband
- LSA-PROFIL
- LSA-PLUS NT
- TERMINATOR®



All KRONE UniBoxes have one thing in common: The newly styled, attractive housing design and superior features. Only in size are there differences.

Four different housing sizes are available, making it possible for you to choose the optimal size to suit your needs:



KRONE UniBox 4: For up to 15 LSA-PLUS® modules (150 pairs)

KRONE UniBox 3: For up to 10 LSA-PLUS® modules (100 pairs)

KRONE UniBox 2: For up to 5 LSA-PLUS® modules (50 pairs)

KRONE UniBox 1: For up to 3 LSA-PLUS® modules (30 pairs)

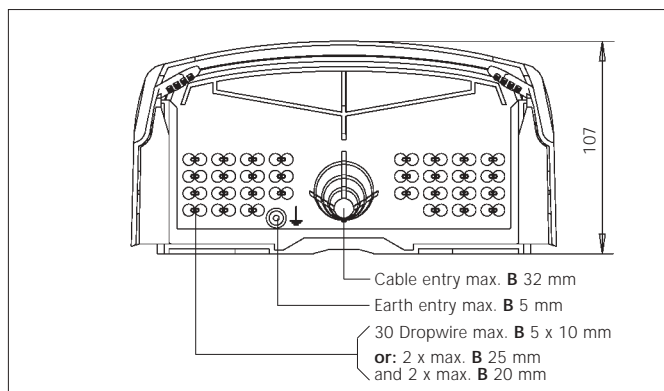
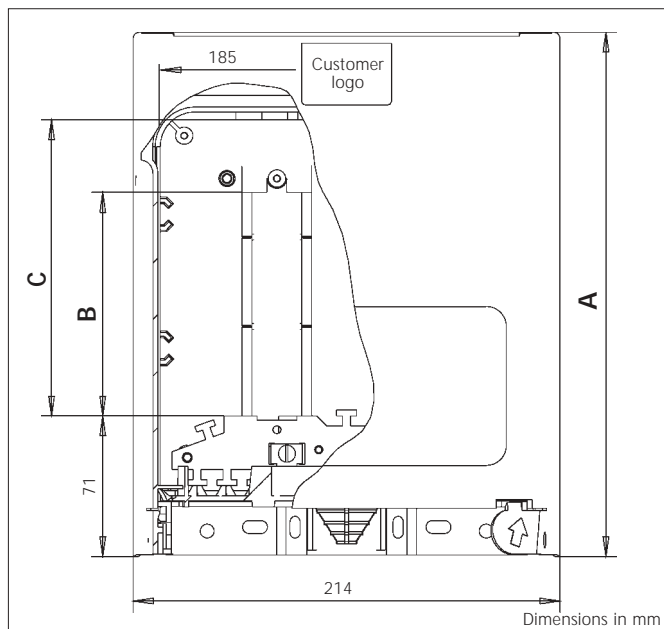
Technical Data

Dimensions	A	B	C
Box 1	196	45	80
Box 2	264	112	149
Box 3	376	225	261
Box 4	489	337	374

Part Numbers:

7 0 1 6 1 2 3 5 - 0 0

- 1 = Box 1
- 2 = Box 2**
- 3 = Box 3
- 4 = Box 4



KRONE

For further information please contact:
 KRONE (AUSTRALIA) TECHNIQUE PTY LTD
 PO Box 335
 Wyong NSW 2259
 2 Hereford Street
 Berkeley Vale NSW 2261
 Tel: (02) 4388 4422
 Fax: (02) 4388 4499
 Email: kronehp@krone.com.au
 Web Site: www.krone.com.au

Krone Asia

Pacific Offices :	Phone:	Fax:
China:	(+86 21) 6489 1801	(+86 21) 6489 2711
India:	(+91 80) 225 1904	(+91 80) 225 1693
Indonesia:	(+62 21) 520 0231	(+62 21) 522 1312
Hong Kong:	(+852) 2885 4888	(+852) 2861 1444
Japan:	(+81 2) 3549 0311	(+81 3) 5565 2858
Malaysia:	(+0060 3) 261 4140	(+0060 3) 261 4135
Singapore:	(+65) 538 8628	(+65) 358 8636
Thailand:	(+66 2) 258 5801	(+66 2) 259 1367
Philippines:	(+63 2) 848 9901	(+63 2) 848 9904
New Zealand:	(+64 4) 576 9213	(+64 4) 576 9243